

AQUARIUM INTERNAL POWER FILTER



UNIT INSTRUCTIONS

WITH IMPORTANT SAFEGUARDS
AND WARRANTY

UL Approved Pump Motor
120V 60 HZ .03A

For Household Use Only

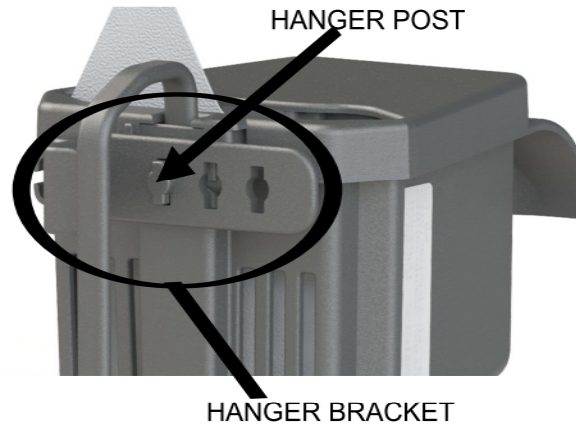
Children Under 13 Must Be
Supervised By An Adult

FILTER MODEL # ASZEP10-PL

COPYDATE 7/15/2019

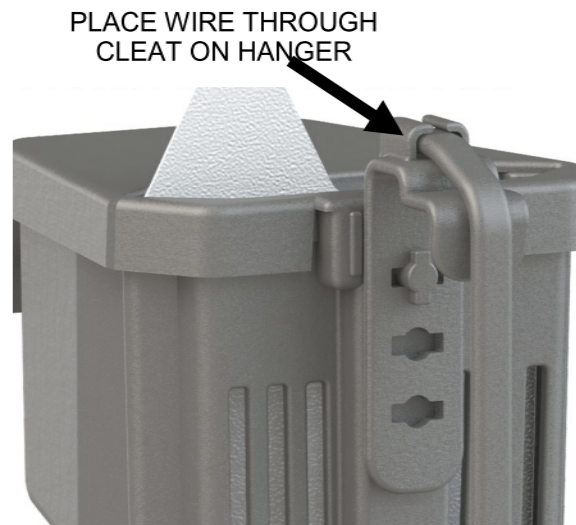
HANGER INSTALLATION

Locate the adjustable hanger bracket included with your filter unit. It could have been placed inside the filter cartridge compartment.



Place the hanger bracket at 90° and align one of the adjustment holes onto the mounting post as shown in the illustration **ABOVE**.

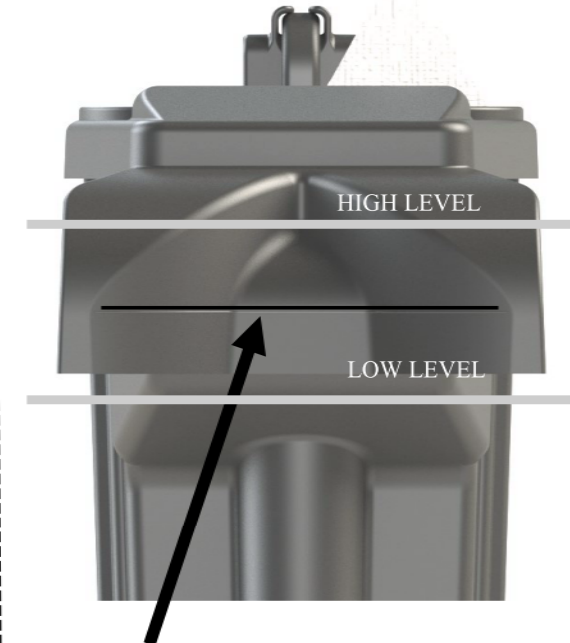
Then rotate the hook until the hanger is vertical as shown in the illustration **BELOW**.



MAINTAINING PROPER WATER LEVEL

Important: Before using the filter submerge the unit entirely under water until all bubbles disappear. Then hang the filter on the side of the tank. Always keep in mind the Water level on the filter is very important to keep it running quiet and efficient. Allowing the level to drop below minimum will allow the pump to run dry.

DO NOT RUN PUMP DRY.



THIS LINE IS SHOWN ON THE FRONT OF THE SHROUD DEFLECTOR. IT IS THE OPTIMAL WATER LEVEL. MAINTAINING THIS LEVEL ASSURES PROPER OPERATION.

TECHNICAL DATA

FILTER	WATTAGE	FLOW RATE (GPH)	REPLACEABLE CARTRIDGE
ASZEP10-PL	3.6	30	S

MAINTAINING THE FILTER AND OTHER IMPORTANT ANSWERS

* The filter cartridge should be replaced every two weeks or as needed (if water flow from the filter becomes diminished).

* To change cartridge, unplug Internal Filter to stop water flow, remove and replace cartridge, then re-plug Internal Filter.

* Remove filter cartridge when medicating fish, as it absorbs most medications.

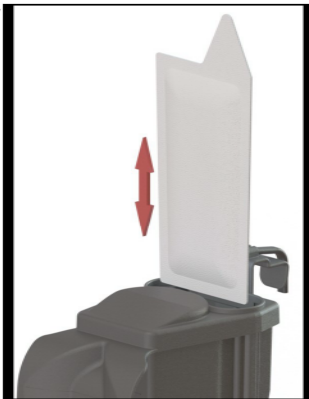
* When cleaning the Internal Filter, unplug the filter. Do not use detergents or soap as residue can be harmful to your fish.

For an explanation of the cleaning procedure Please view our help video at: <https://www.youtube.com/results?>

* **DO NOT RUN FILTER DRY.** Maintain the correct water level shown on the reverse side of these instructions.

* **ALSO SEE:** Your Specific Desktop Aquarium Kit Instructions for proper installation into your tank.

This Internal Filter uses Tetra Whisper Filter Cartridges S, sold in most online retailers and retail pet stores.



IMPORTANT SAFETY INSTRUCTIONS

READ AND FOLLOW ALL SAFETY INSTRUCTIONS

1. Do not operate this unit if it has a damaged cord or plug. The power cord cannot be replaced. Inspect the power cord insulation to be sure there are no cuts or exposed wire. If so, discard and order a new replacement motor.
2. An aquarium should never be placed on top of anything or any surface that can be damaged by water. Water can damage fine surfaces or could cause electrical shorts in electronics if it came in contact with them. Water could pose a dangerous situation where damage or personal injury could result.
3. This appliance is not intended for use by persons (including children) with reduced physical, sensory or mental capabilities without instruction of proper use by a person responsible for their safety. Children under 13 should be supervised to ensure that they do not play with the appliance.
4. To avoid the unit plug or receptacle from getting wet, position the tank and stand to one side of a wall mounted receptacle to prevent water from dripping onto it. A **"Drip Loop"** should be made as shown to the left. It is also recommended to use a GFCI outlet.



ONE YEAR LIMITED WARRANTY

Koller Enterprises will, for the period of one year, repair or replace, free of charge, any part of the equipment that is defective in material or workmanship or both, providing that installation and use of the equipment complies with these instructions. This warranty is effective for the time period and subject to the conditions stated below.

For warranty service:
please call **800-545-1344** or
Email customercare@kollerproducts.com.

THERE ARE NO OTHER EXPRESS WARRANTIES OR IMPLIED WARRANTIES, INCLUDING THOSE OF MERCHANTABILITY OR FITNESS FOR A PARTICULAR PURPOSE. THE ABOVE WARRANTY IS LIMITED TO ONE YEAR FROM PURCHASE. ANY AND ALL IMPLIED WARRANTIES ARE EXCLUDED AND LIABILITY FOR INCIDENTAL OR CONSEQUENTIAL DAMAGES IS EXCLUDED TO THE EXTENT EXCLUSION IS PERMITTED BY LAW. BUYER'S SOLE REMEDY IS THE LIMITED WARRANTY STATED ABOVE. DEPENDING ON THE LAW OF THE STATE WHERE YOU LIVE, THIS EXCLUSION OF IMPLIED WARRANTIES AND OF INCIDENTAL AND CONSEQUENTIAL DAMAGES MAY NOT APPLY TO YOU.

The warranty period begins on the date of purchase by the first retail consumer or end user, and continues for the period of time stated above.

**WARRANTY HELP
REPLACEMENT PARTS
OR TECH SUPPORT
IF ANY COMPONENTS ARE
DAMAGED OR MISSING
DO NOT RETURN TO RETAILER**

PLEASE CONTACT:
customerservice@sunnywaycn.com

**SUNNYWAY ENTERPRISES INCT
ustin, CA 92782**

Item# ISZ-P10PL-GN