

## AQUARIUM POWER FILTER



### SETUP AND OPERATING INSTRUCTIONS WITH IMPORTANT SAFEGUARDS

Uses UL Approved Pump Motor  
120V 60 HZ .03A

For Interior Household Use Only

Children under the age of 13 should be supervised by an adult with the setup, maintenance and fish care

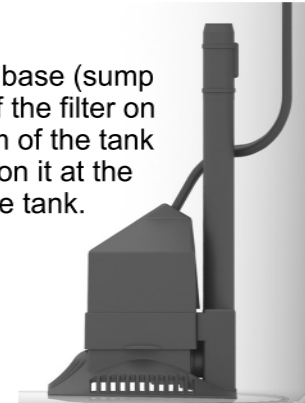
**FILTER MODEL # ASZF3PUG**



## FILTER INSTALLATION

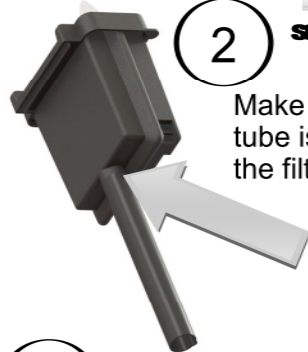
Read and follow equipment safety precautions in instructions prior to installation.

- 1 Place the base (sump portion) of the filter on the bottom of the tank and position it at the back of the tank.



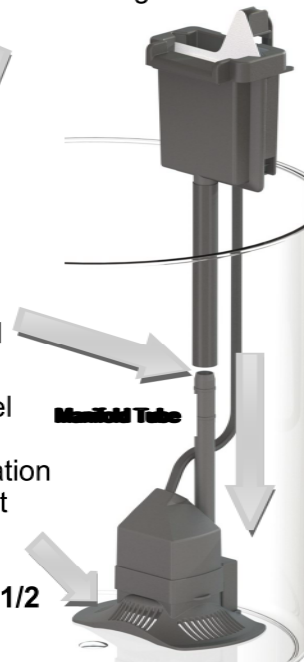
**SIDEVIEW OF BASE (SUMP)**

- 2 Make sure the extension tube is securely attached to the filter housing.

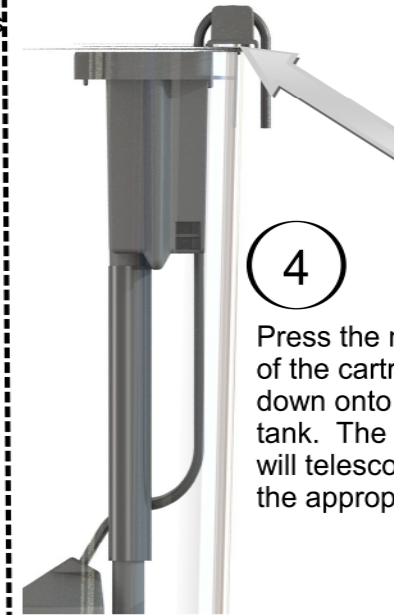


- 3 Insert and align the extension tube onto the manifold tube and push downwards.

Place aquarium gravel on the bottom of the tank only after installation of filter sump. Do not cover base entirely. **Only use gravel or pebbles larger than 1/2 inch diameter.**



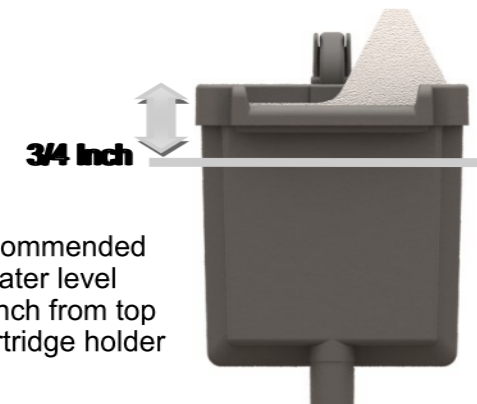
## FILTER INSTALLATION



- 4 Press the mounting bracket of the cartridge holder down onto the frame of the tank. The extension tube will telescope downward to the appropriate height.

## MAINTAINING PROPER WATER LEVEL

**IMPORTANT FOR OPTIMUM FILTRATION - WATER LEVEL SHOULD BE MAINTAINED AT THE RECOMMENDED WATER LEVEL AT ALL TIMES**



Recommended water level  
3/4 inch from top of cartridge holder

## FILTER MAINTENANCE AND CARE TIPS

### IMPORTANT

- **Do Not** use sand in your aquarium as this will clog the power filter's intake. For best results use only gravel or pebbles in excess of 1/2 inch diameter.
- Filter cartridge should be replaced every three to four weeks or if heavily soiled and filter's water flow becomes diminished.
- To change cartridge, unplug internal power filter to stop water flow, remove soiled cartridge and discard.
- Rinse new cartridge under running tap water.
- Place new cartridge into filter and plug filter into electrical outlet.
- Remove filter cartridge when medicating fish, as it can absorb most medications.
- When cleaning power filter always unplug from electrical power. Do not use detergents or soap as residues can be harmful to your fish.



For additional help with filter set up  
scan QR code to view  
YouTube instructional video



or type link below  
into your browser

<https://www.youtube.com/watch?v=hso9KKjGs9c&t=9s>

**DO NOT RUN FILTER MOTOR DRY**  
Always maintain recommended water levels

This filter uses XS size replacement  
cartridges, sold through various online retailers

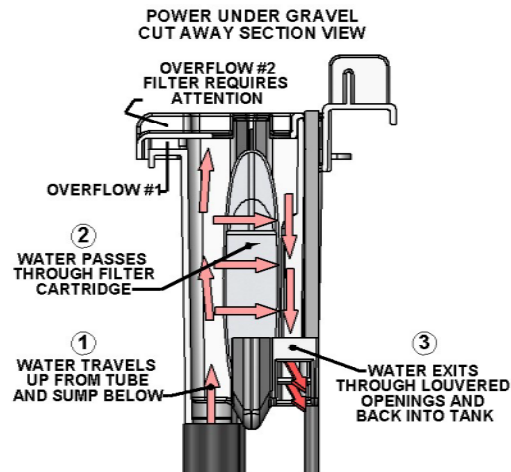
- Koller Products XS Filter Cartridges
- Tetra Whisper XS Filter Cartridges



## IMPORTANT SAFETY INSTRUCTIONS

### READ AND FOLLOW ALL SAFETY INSTRUCTIONS

1. Do not operate this unit if it has a damaged cord or plug. The power cord cannot be replaced. Inspect the power cord insulation to be sure there are no cuts or exposed wire. If so, discard and order a new replacement pump.
2. Do not place aquarium on any good surface that can be damaged by water or where water can come in contact with other electrical appliances.
3. This appliance is not intended for use by persons (including children) with reduced physical, sensory or mental capabilities without instruction of proper use by a person responsible for their safety. Children under 13 should be supervised to ensure that they do not play with the appliance.
4. To avoid the unit plug or receptacle from getting wet, position the tank and stand to one side of a wall mounted receptacle to prevent water from dripping onto it. A "Drip Loop" should be made as shown to the right. We also recommended using a GFCI outlet.



## ONE YEAR LIMITED WARRANTY

KOLLER PRODUCTS LLC warrants this aquarium product to be free from defects in material and workmanship under normal use and service and according to the provisions as specified in the accompanying assembly and operating instructions, for a period of 1 year from date of purchase.

This warranty does not cover and KOLLER PRODUCTS LLC is not liable for the cost of repair or replacement of parts which have been subject to misuse, negligence, accident, improper installation, damage during shipment or handling, normal deterioration due to wear and exposure or defects caused by unauthorized parts or modification.

**UNDER NO CIRCUMSTANCES WILL KOLLER PRODUCTS LLC BE LIABLE FOR ACCIDENTAL OR CONSEQUENTIAL DAMAGES, INCLUDING BUT NOT LIMITED TO LOSS OF PROPERTY OR EQUIPMENT.**

Some states do not allow the exclusion or limitation of incidental or consequential damages, or limitation on how long an implied warranty lasts, so the above limitations or exclusions may not apply to you. This warranty gives you the legal rights, which vary from state to state.

**WARRANTY HELP  
REPLACEMENT PARTS**

OR

**TECH SUPPORT  
IF ANY COMPONENTS ARE  
DAMAGED OR MISSING**

**DO NOT RETURN TO RETAILER**

**PLEASE CONTACT**  
customerservice@sunnywaycn.com

**SUNNYWAY ENTERPRISES INC**  
Tustin, CA 92782