

LED LIGHT FCC COMPLIANT



FCC Verification Tested
Certificate Of Conformity
PRSZ1707281E

This device complies with part 15 of the FCC Rules. Operation is subject to the following two conditions: (1) This device may not cause harmful interference, and (2) this device must accept any interference received, including interference that may cause undesired operation. Changes or modifications not expressly approved by the party responsible for compliance could void the user's authority to operate this device.

NOTE: This equipment has been tested and found to comply with the limits for a Class B digital device, pursuant to part 15 of the FCC Rules. These limits are designed to provide reasonable protection against harmful interference in a residential installation. This equipment generates, uses, and can radiate radio frequency energy and, if not installed and used in accordance with the instructions, may cause harmful interference to radio communications. However, there is no guarantee that interference will not occur in a particular installation. If this equipment does cause harmful interference to radio or television reception, which can be determined by turning the equipment off and on, the user is encouraged to try to correct the interference by one or more of the following measures: -Reorient or relocate the receiving antenna. - Increase the separation between the equipment and receiver. -Connect the equipment into an outlet on a circuit different from that to which the receiver is connected. -Consult the dealer or an experienced radio/ TV technician for help.

LIMITED WARRANTY

SUNNYWAY ENTERPRISES INC warrants this aquarium product to be free from defects in material and workmanship under normal use and service and according to the provisions as specified in the accompanying assembly and operating instructions, for a period of 1 year from date of purchase.

This warranty does not cover and SUNNYWAY ENTERPRISES INC is not liable for the cost of repair or replacement of parts which have been subject to misuse, negligence, accident, improper installation, damage during shipment or handling, normal deterioration due to wear and exposure or defects caused by unauthorized parts or modification.

UNDER NO CIRCUMSTANCES WILL SUNNYWAY ENTERPRISES INC BE LIABLE FOR ACCIDENTAL OR CONSEQUENTIAL DAMAGES, INCLUDING BUT NOT LIMITED TO LOSS OF PROPERTY OR EQUIPMENT.

Some states do not allow the exclusion or limitation of incidental or consequential damages, or limitation on how long an implied warranty lasts, so the above limitations or exclusions may not apply to you. This warranty gives you the legal rights, which vary from state to state.

WARRANTY HELP, REPLACEMENT PARTS, OR TECH SUPPORT, IF ANY COMPONENTS ARE DAMAGED OR MISSING DO NOT RETURN TO RETAILER

PLEASE CONTACT:

customerservice@sunnywaycn.com

SUNNYWAY ENTERPRISES INC
Tustin, CA 92782

Made in China

SW PRODUCTS

AQUARIUM SET UP INSTRUCTIONS

Item: 5-Gallon Aquarium



For Household Use Only
Children under the age of 13 should be supervised by an adult with the setup, maintenance and fish care

1. Your Aquarium

People of all ages enjoy looking at aquariums. Aside from the belief that an aquarium is beautiful, many also believe owning an aquarium can be relaxing, rewarding and a great conversation piece all at the same time. You will find you will have many enjoyable hours with your new aquarium and fish.

Included in your Aquarium Kit

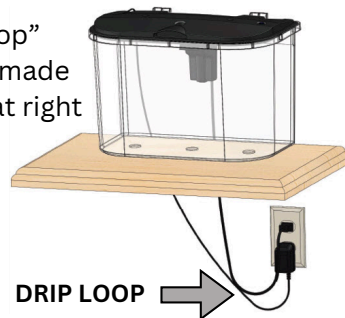
1. 5G Fish Tank
2. LED Light
3. Full Hood
4. Power Filter
5. Power Supply
6. Filter Cartridge



2. Important Instructions

Read This Section before operating this unit. For Household Use Only. Confirm your tank has not been damaged during shipping before you start the setup process. Completely install aquarium before operating. To avoid the unit plug or receptacle from getting wet, position the tank and stand to one side of a wall mounted receptacle to prevent water from dripping onto it.

A "Drip Loop" should be made as shown at right



3. Tank Placement

Leave enough space in back of the aquarium to allow easy access to the filter and various electrical cords from the electrical equipment.

Good places for your aquarium

On a table or aquarium stand that's capable of bearing the weight of your filled aquarium.

Places to avoid

- Near direct sources of sunlight (e.g. windows), unwanted algae growth may occur.
- Near direct sources of heat or air conditioning (e.g. radiator, forced air vent).
- Around sources of noise (e.g. stereo speakers, TV).
- Drafty areas.
- Do not place aquarium on any good surface that can be damaged by water.
- Where water can come in contact with other electrical appliances.

4. Rinse Gravel and Decor

Rinse aquarium, filter, stones, plastic plants, and other decorations under running tap water. Place gravel in a colander or new bucket and rinse under running tap water until water runs clear. Never clean the tank, decorations, or filter with household soaps as they can harm your fish.



*Gravel and Decorations not included with aquarium kit

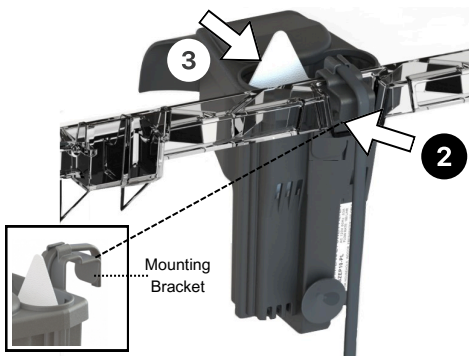
5. Filter Installation

#1. Rinse filter and filter cartridge under running tap water to remove any dust from the shipment. Replace filter cartridge every 3 to 4 weeks.

#2. Attach the mounting bracket (J shape) to the filter, using the bottom hole of the bracket. Position the filter onto the groove at the middle back of the tank.

#3. Insert the filter cartridge into the filter.

#4. Do not plug filter in at this time.



6. Tank Set Up

- Place aquarium gravel on the bottom of the tank, spreading it evenly across the bottom. Add ornaments and decorations.
- Fill the tank with water to within two inches from the top of the tank.
- Treat water with a tap water conditioner to remove chlorine from tap water that can be harmful to your fish.
- Insert filter's plug into electrical receptacle to turn the filter on.
- Confirm water temperature in the tank has reached room temperature before adding fish.



7. LED Light

#1. Plug the power adapter into the wall receptacle and insert the opposite end of the cable into the LED light port.

#2. Turn On LED light. Press the blue button switch on top of the light.

#3. Repeatedly press the blue button until your desired color is located, the light will remain on continuously until turned off.

#4. Color selections: Daylight White, Sunrise White, Midnight Blue and Twilight Blue.

#5. Turn Off. If you want to keep the same color choice when you turn the light back on and without clicking through all of the colors, select the color you want and press the blue button down, holding for 1 second. Your color selection will come back on the next time you turn the light on.

(To activate the timer see Setting Light Timer in Section 8. Please Note: the light will turn on at the same time daily when you initially set the timer, example - if you sent the timer initially at 1pm, the light will turn on at 1pm daily.)

8. Setting Light Timer

2 Hours On with 24 hour cycle. Light will turn on daily at same hour you initially set the timer for 2 hours. Press and hold the blue button for 3 seconds, until the Daylight White color light flashes 2 times and then release.

4 Hours On with 24 hour cycle. Press and hold the blue button for 3 seconds, until the Daylight White color light flashes 3 times and then release.

8 Hours On and 24 hours cycle. Press and hold the blue button for 3 seconds, until the Daylight White color light flashes 4 times and then release.

Cancel Timer Current Setting, press and hold the blue button for 3 seconds, until the Daylight White color light flashes 1 time and then release.

Please Note: Whenever the power supply is unplugged from the electrical receptacle, the timer will revert to factory settings and start-up status.